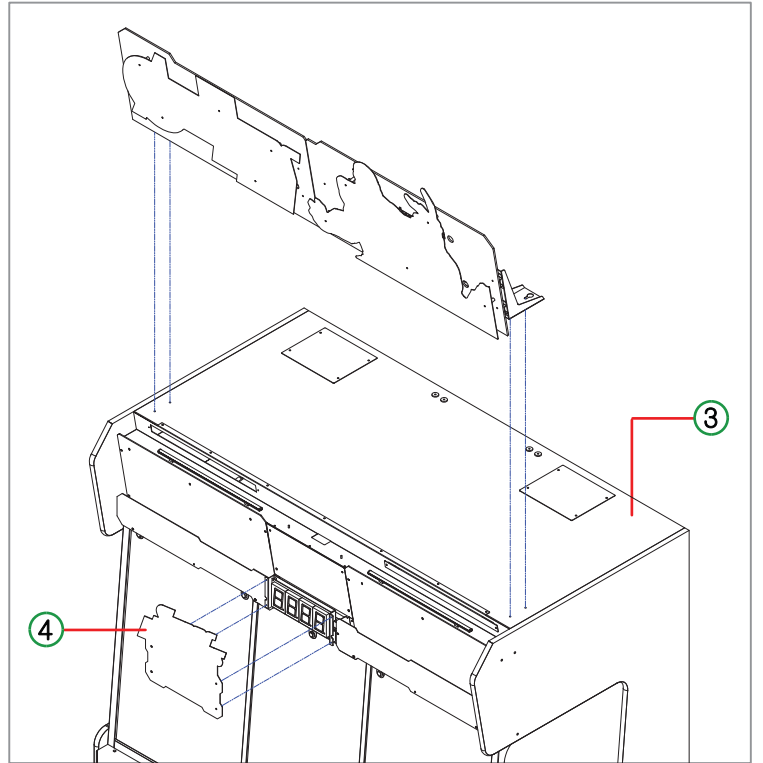
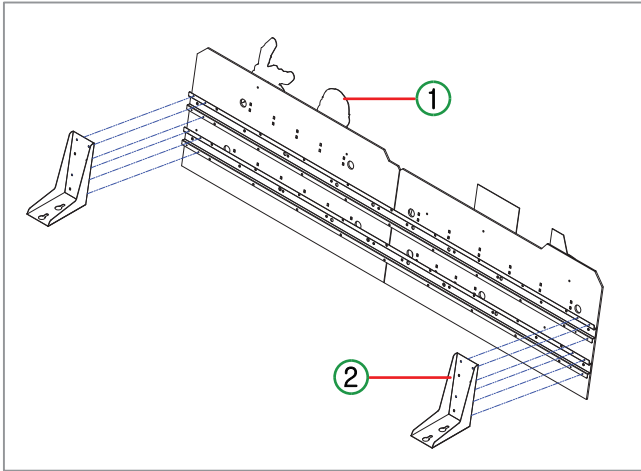


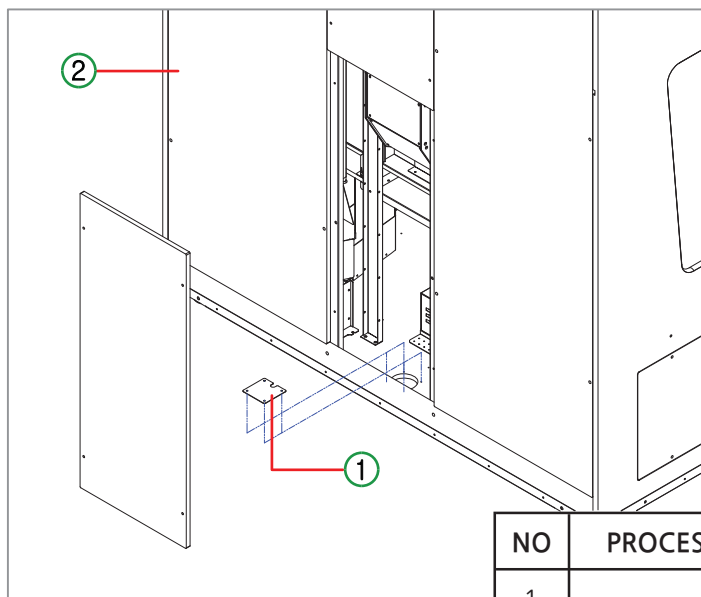
HOW TO INSTALL

1. HOW TO INSTALL_BILLBOARD



NO	PROCESS	ITEM	Q'TY	BOLT	SPEC	Q'TY
1		BILLBOARD	1			
2	ASSEMBLE	MAIN BILLBOARD FIX BKT	2	TH	M4*8L	16
3	ASSEMBLE	MAIN CABINET	1	R.H.C	M6*20L	4
4	ASSEMBLE	SUPER BONUS FND ACRYL	1	TH	M4*8L	4
*	CONNECTOR	CONNECTION				

2. HOW TO INSTALL_AC COVER BKT



NO	PROCESS	ITEM	Q'TY	BOLT	SPEC	Q'TY	
1		MAIN CABINET	1				
2	ASSEMBLE	AC CORD COVER BKT	1	TH	M4*14L	4	
*	POWER ON	This product is a free bolt product. (AC 120-230V)					