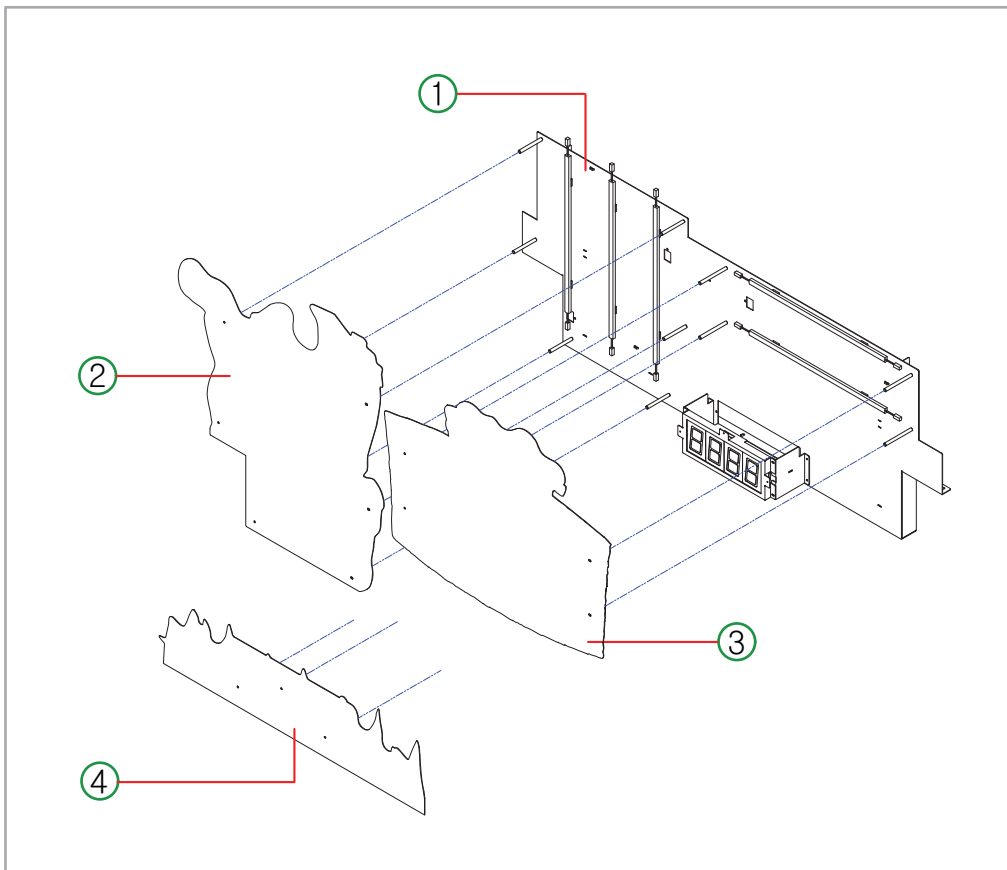


HOW TO INSTALL

[There are extra bolts in addition to the bolts required for assembly.]

1 * BILLBOARD ASS'Y

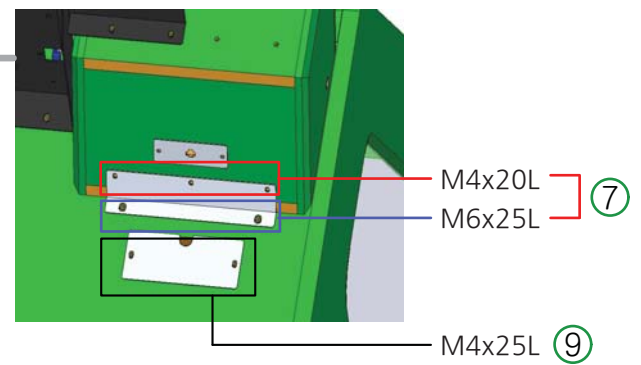
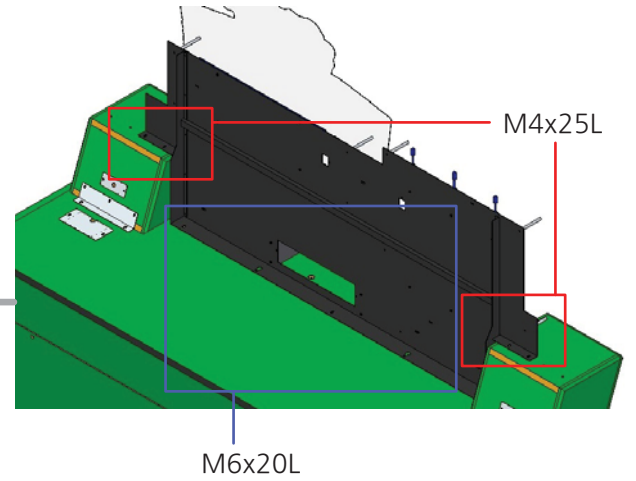
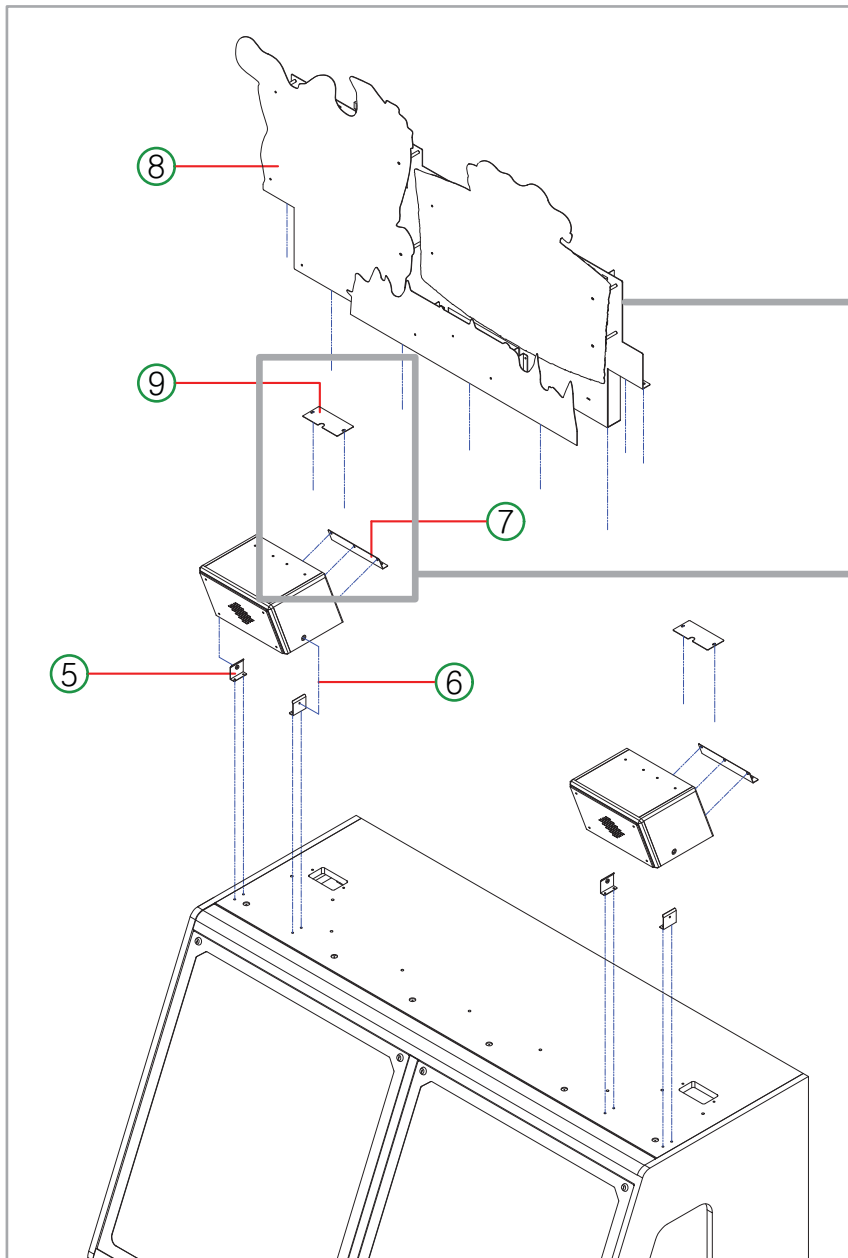
NO	PROCESS	ITEM	Q'TY	BOLT	SPEC	Q'TY
1	ASSEMBLY	BILLBOARD REAR BKT ASS'Y	1			
2	ASSEMBLY	BILLBOARD LEFT SIDE ACRYL	1	TH NI	M4x8L	6
3	ASSEMBLY	BILLBOARD RIGHT SIDE ACRYL	1	TH NI	M4x8L	4
4	ASSEMBLY	BILLBOARD FND COVER ACRYL	1	TH NI	M4x8L	3



2

* SPEAKER ASS'Y & BILLBOARD ASS'Y

NO	PROCESS	ITEM	Q'TY	BOLT	SPEC	Q'TY
5	ASSEMBLY	SPEAKER ASS'Y SIDE FIX BKT	4	SEMS	M4x20L	8
6	ASSEMBLY	SPEAKER ASS'Y [CONNECTOR]	2	FLAT HEAD	M6x20L	4
7	ASSEMBLY	SPEAKER ASS'Y REAR FIX BKT	2	SEMS	M4x20L	6
				SEMS	M6x25L	4
8	ASSEMBLY	BILLBOARD ASS'Y [CONNECTOR]	1	SEMS	M6x20L	5
				SEMS	M4x25L	4
9	ASSEMBLY	CABINET TOP HARNESS COVER BKT	2	TH NI	M4x25L	4



3 * BUTTON PLATE ASS'Y

NO	PROCESS	ITEM	Q'TY	BOLT	SPEC	Q'TY
10	ASSEMBLY	BUTTON PLATE ASS'Y UPPER FIX BKT	2	SEMS	M4x25L	4
11	ASSEMBLY	BUTTON PLATE ASS'Y LOWER FIX BKT	2	SEMS	M4x25L	4
12	ASSEMBLY	BUTTON PLATE ASS'Y [CONNECTOR]	2	TH WRENCH NI	M4x12L	12

