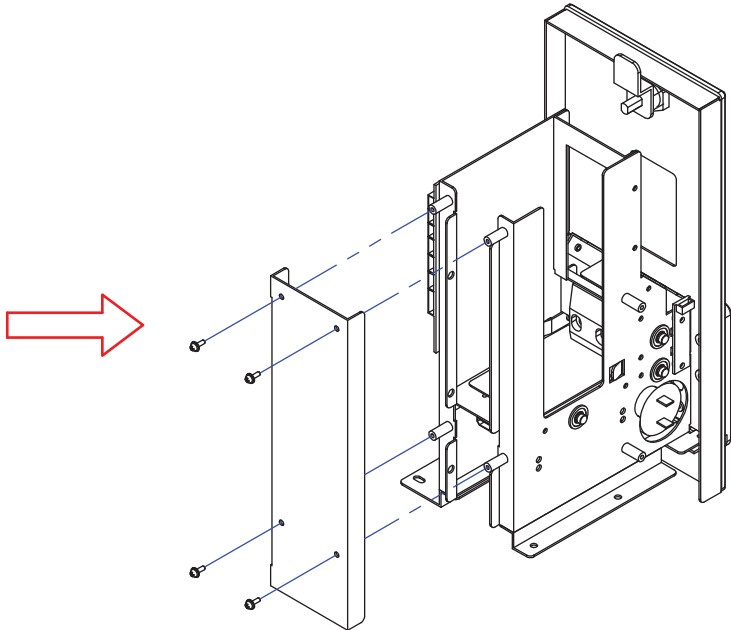
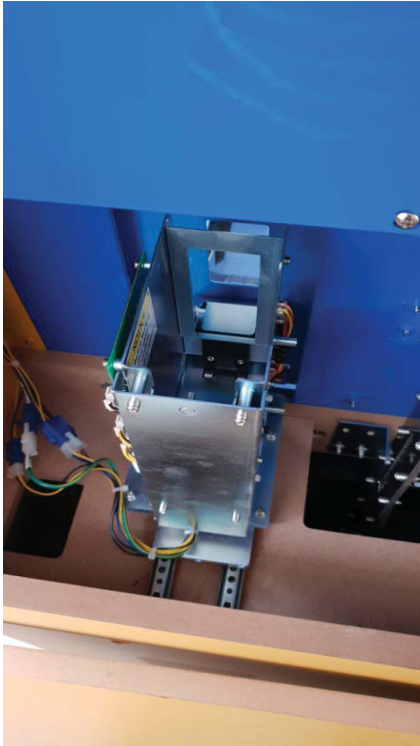


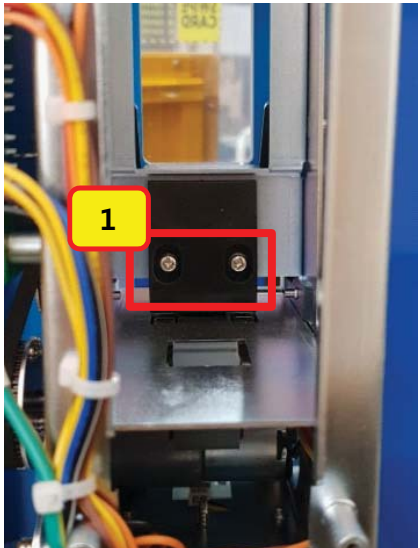
HOW TO ADJUST THE GAP OF CARD DISPENSER

1



- Open upper door of back side of the machine and disassemble the metal part back side of card dispenser as a picture. [Bolt 4ea]

2



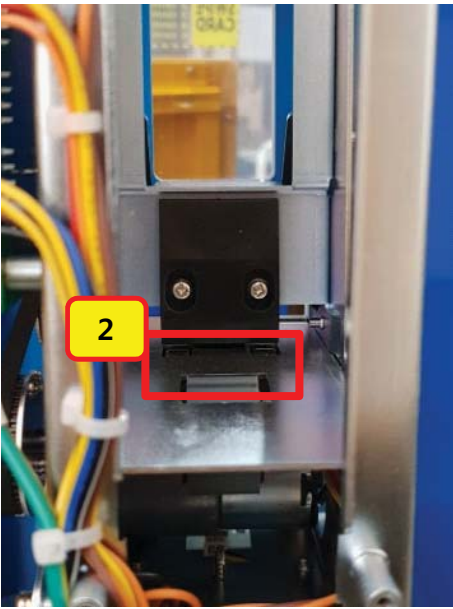
- Unlock little bit of fix bolt 2ea at No.1.

3



- Prepare the card that taped by 3 times of front and back as a picture. (recommend thickness 1.2 mm)

4



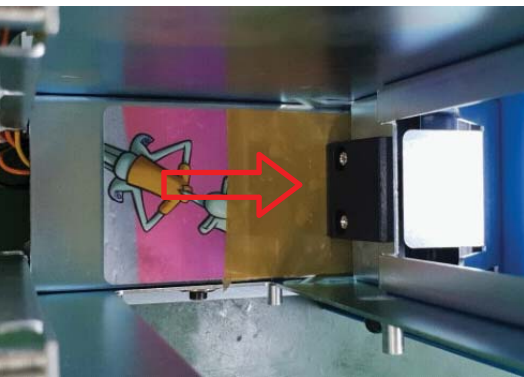
- Insert the taped card at No.2. (lower side of black acrylic)
[Refer to the right picture]

5



- Lock the bolt of section 2 pressing the upper side of black acrylic.
After fixing, remove the card.

6



- Check if it is tight when you try to insert the taped card again as left picture.
If it is easy to insert or impossible to insert, go back to section 2 and work again.

- Gap between the arrows of left picture (No.2 of section 4)
Allowable value: 1.1~1.3 mm
Thickness of normal card: 0.8 mm

7

- After processing until section 6, run operation test.
TEST MODE -> No. 7 CARD OUT TEST