

SPONGEBOB SOCCER STAR SENSOR REPLACEMENT MANUAL

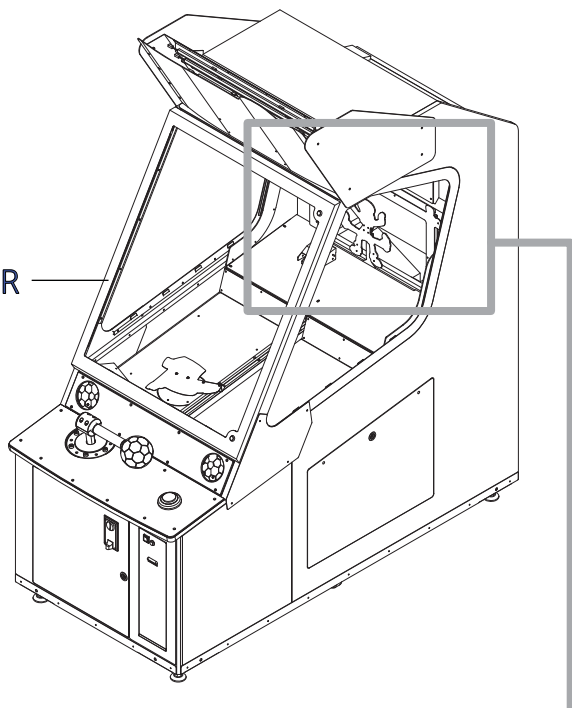
[GOALPOST ACRYLIC REPLACEMENT AND ADDING SPRING & WASHER]

* ACCESSORY LIST

- [NEW] GOALPOST ACRYL_1EA
- GOALPOST ACRYL TENSION SPRING_6EA
- M4 FLAT WASHER_6EA
- [NEW] RECEIVER SENSOR PCB ASS'Y_1EA
- MEMORY PCB ASS'Y [CPU V1.03]_1EA

1

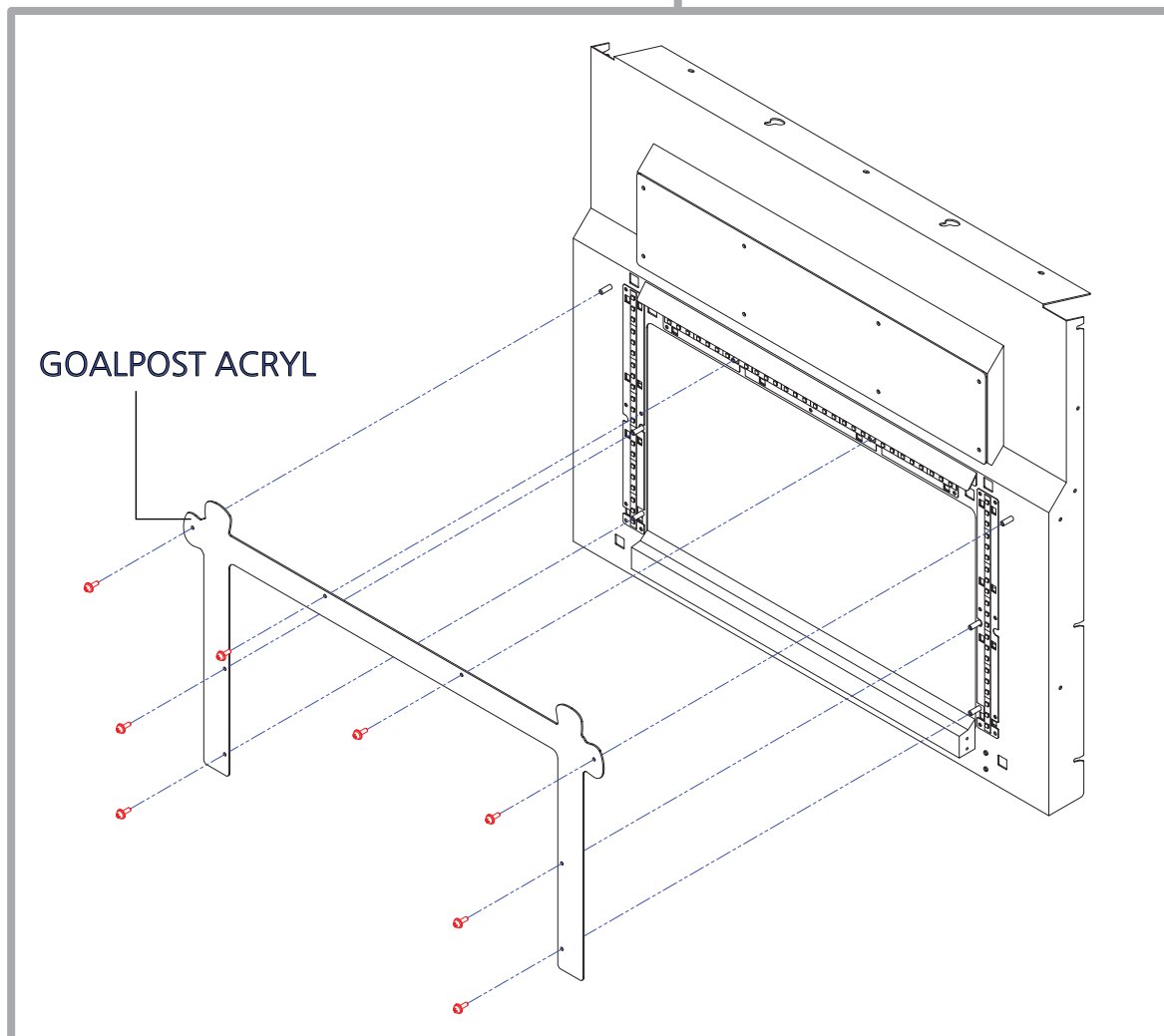
FRONT DOOR



- OPEN **FRONT DOOR** BY USING 7001 KEY [2EA].

2

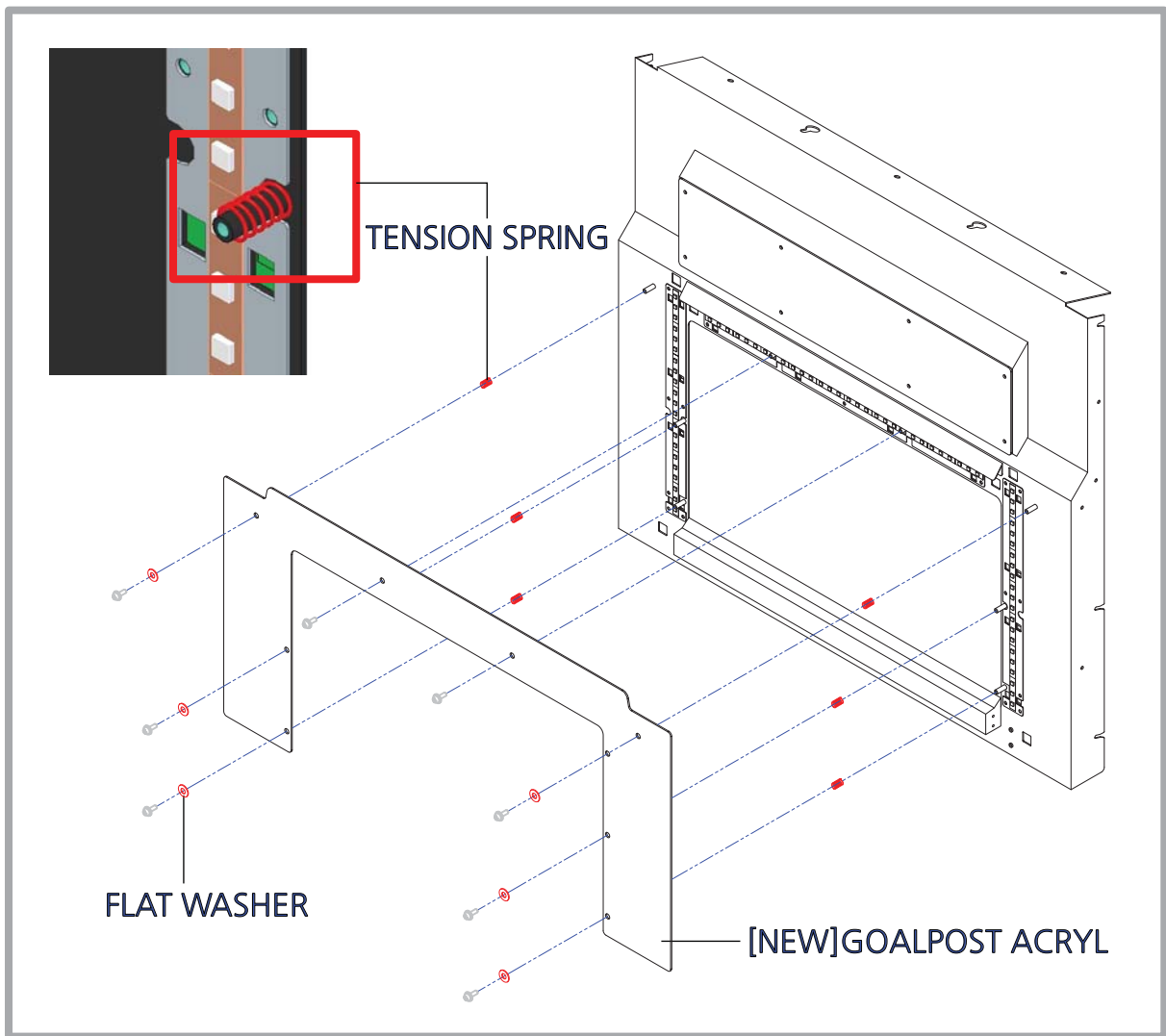
GOALPOST ACRYL



- DISASSEMBLE **GOALPOST ACRYLIC** LOCATED FRONT SIDE OF PLAY FIELD INSIDE. [M4 Bolt, 8EA]

* REUSE THE BOLT WHEN YOU ASSEMBLE

3



- AFTER DETACHING, INSERT PROVIDED **TENSION SPRING TO STAND OFF.**
[6 RED MARKS BELOW]

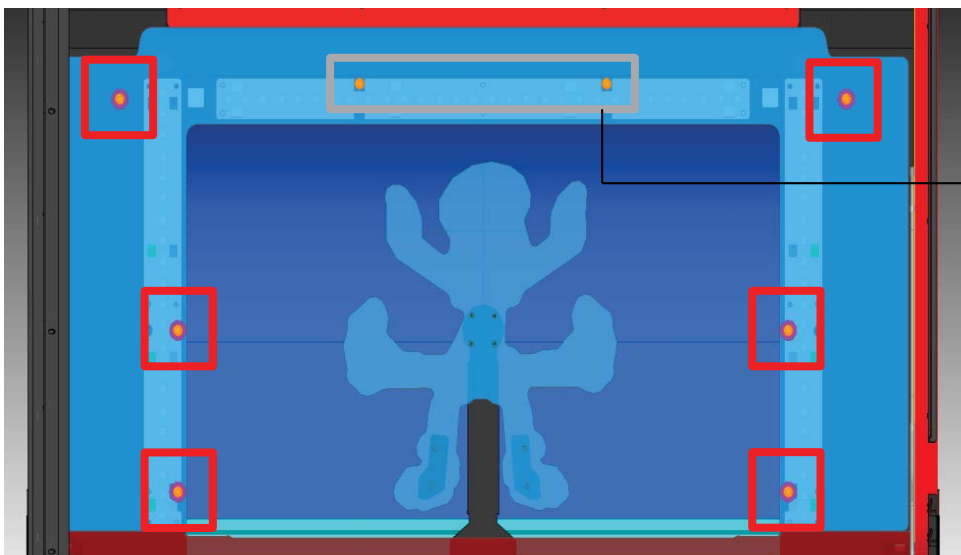
- AND THEN, ASSEMBLE **[NEW] GOALPOST ACRYLIC + FLAT WASHER** AS PICTURE BELOW.

* FIX WASHER TO THE PLACE ONLY WITH SPRING

* USE LOCTITE WHEN YOU FIX THE BOLT (RECOMMENDATION)

[USE ONLY **40 SERIES** LOCTITE !]

[PLACE TO ADD SPRING & WASHER]



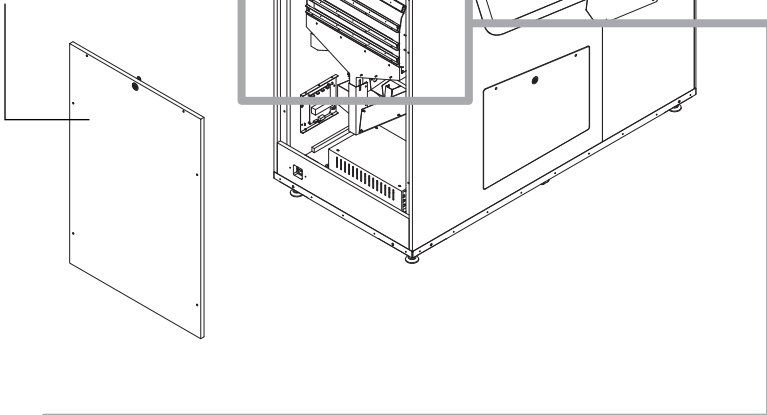
USE M4 BOLT ONLY FOR THESE 2 POINTS

[REPLACE RECEIVER SENSOR PCB ASS'Y AND USING LOCTITE]

4

- OPEN **REAR DOOR** BY USING 7001 KEY.

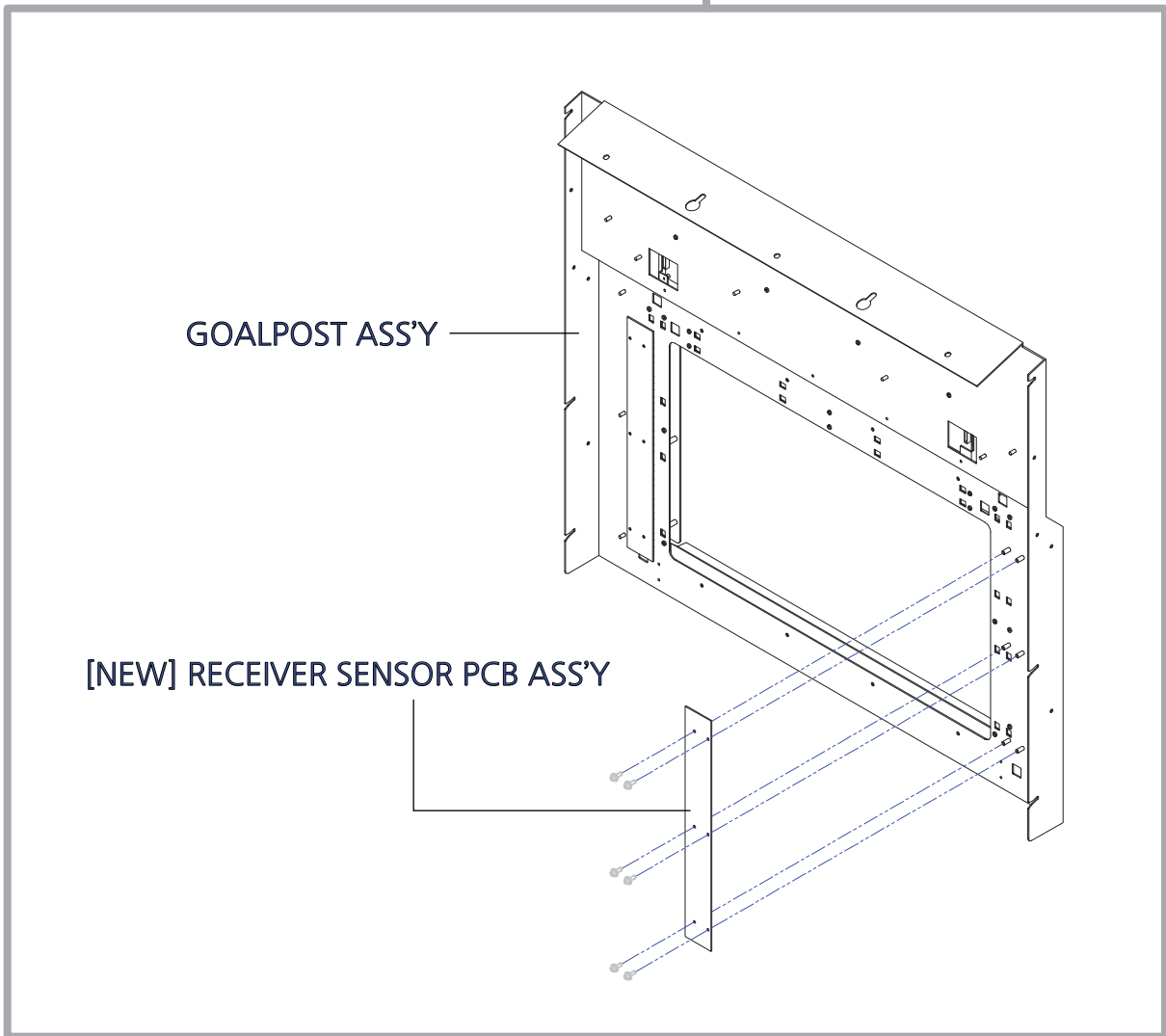
REAR DOOR



5

GOALPOST ASS'Y

[NEW] RECEIVER SENSOR PCB ASS'Y

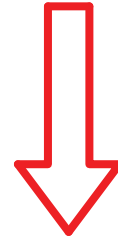


- DISASSEMBLE RECEIVER SENSOR PCB ASS'Y LOCATED BACK SIDE OF GOALPOST ASS'Y [M3 Bolt, 6EA], REPLACE PROVIDED **[NEW] RECEIVER SENSOR PCB ASS'Y**.

* CONNECT AGAIN AFTER DETACHING UPPER, LOWER CONNECTOR DURING REPLACEMENT

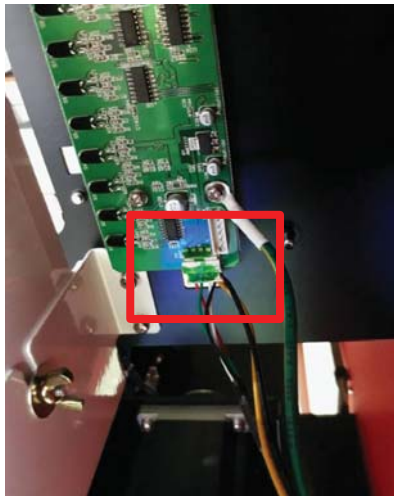
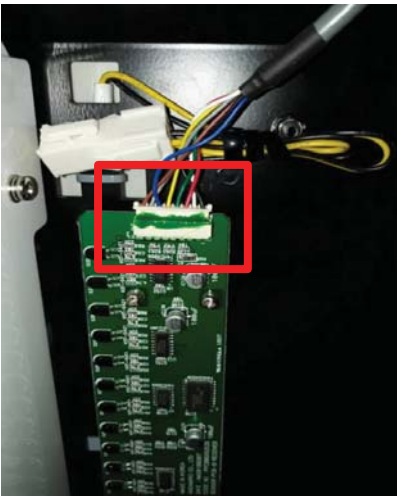
[EMITTER SENSOR PCB ASS'Y]

6



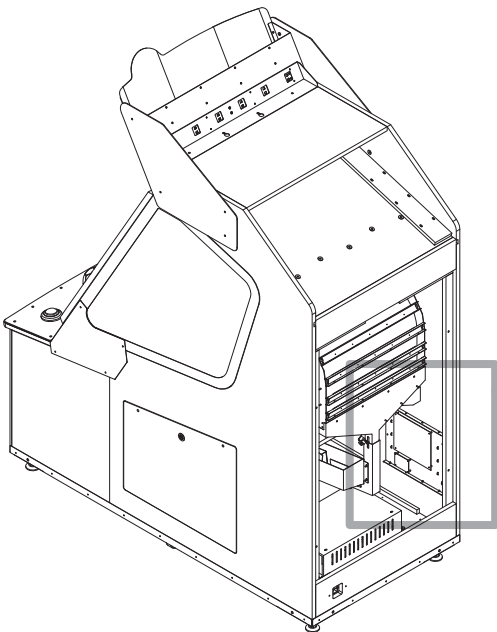
- AFTER REPLACING RECEIVER SENSOR PCB ASS'Y, **USE LOCTITE OR GLUE GUN TO UPPER, LOWER CONNECTOR** OF EMITTER, RECEIVER SENSOR PCB ASS'Y AS A PICTURE. [REFER TO THE PICTURE]

[RECEIVER SENSOR PCB ASS'Y]

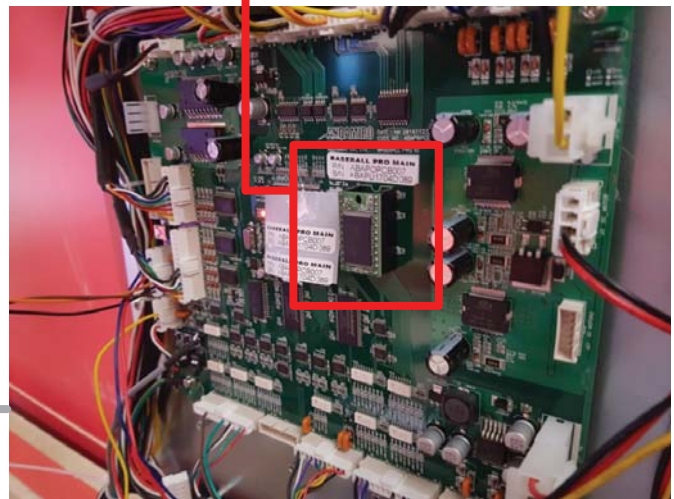


[CPU REPLACEMENT]

7



CPU LOCATION



- **REPLACE CPU [V. 1.03]** ON THE TOP OF MAIN PCB ASS'Y AT LAST.

- * DURING CPU REPLACEMENT, PLEASE TURN OFF THE MACHINE.
- * PLEASE BE AWARE OF UP AND DOWN SIDE OF CPU.

8

- AFTER **CPU REPLACEMENT** -> **POWER ON** -> **FACTORY SETTING** -> CHECK IF THE VERSION IS **[V. 1.03]** ON SETUP LCD SCREEN.